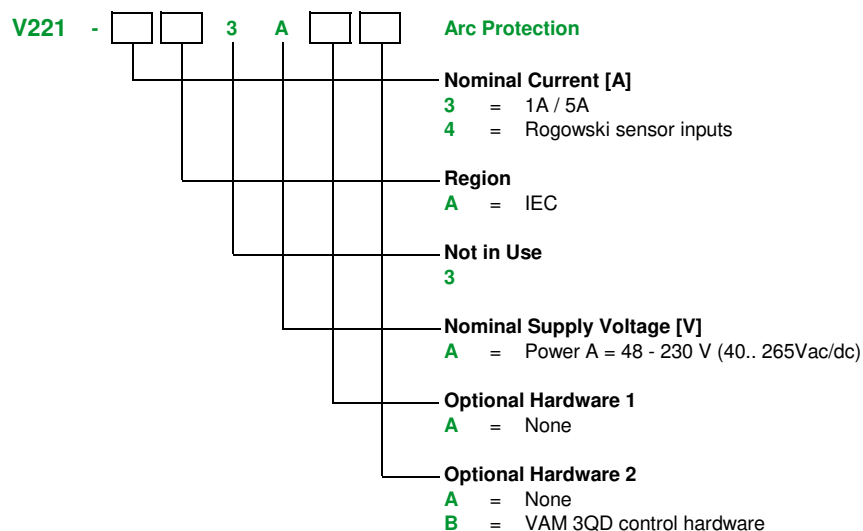


Vamp 221 ordering code



Accessories :

Cortec code	Explanation	Note
VAM 3LSE	Fiber sensor I/O unit (VAMP221 & 321)	3 fiber loops, 1 trip relay
VAM 3LXSE	Fiber sensor I/O unit (VAMP221 & 321)	3 fiber loops, 1 trip relay, adjustable sensitivity
VAM 4CSE	Current I/O unit (VAMP221 & 321)	3 current inputs, 1 trip relay, clamp connector
VAM 4CSE-RL	Current I/O unit (VAMP221 & 321)	3 current inputs, 1 trip relay, ring-lug connector
VAM 4CDSE	Current I/O unit (VAMP221 & 321)	3 current inputs, 1 trip relay, clamp connector, flush mounting
VAM 10LSE	Point sensor I/O unit (VAMP221 & 321)	10 sensor inputs, 1 trip relay
VAM 10LDSE	Point sensor I/O unit (VAMP221 & 321)	10 sensor inputs, 1 trip relay, flush mounting
VAM 12LSE	Point sensor I/O unit (VAMP221 & 321)	10 sensor inputs, 3 trip relays
VAM 12LDSE	Point sensor I/O unit (VAMP221 & 321)	10 sensor inputs, 3 trip relays, flush mounting
VAMP 4R	Interface Unit (use vx002 cable)	4 x NO, 4 x NC, 2 groups
VAR 4 CE 4/0	Interface Unit (use vx002 cable)	1xNO -> 4xNO
VA 1 DA-6	Arc Sensor	Cable length 6m
VA 1 DA-20	Arc Sensor	Cable length 20m
VA 1 EH-6	Arc Sensor (Pipe type)	Cable length 6m
VA 1 EH-20	Arc Sensor (Pipe type)	Cable length 20m
VA 1 EH-6S-IP	Arc Sensor, shielded (Pipe type, IP65)	Cable length 6m
VA 1 EH-20S-IP	Arc Sensor, shielded (Pipe type, IP65)	Cable length 20m
VA 1 EH-20-IP	Arc Sensor (Pipe type, IP65)	Cable length 20m
VA 1 DP-5	Portable Arc Sensor	Cable length 5m
VA 1 DP-5D	Portable Arc Sensor	Cable length 5m
VA 1 GIS-1,5	Arc Sensor, shielded with GIS adapter	Cable length 1,5m
VA 1 GIS-3	Arc Sensor, shielded with GIS adapter	Cable length 3m
VA 1 GIS-5	Arc Sensor, shielded with GIS adapter	Cable length 5m
VA 1 GIS-10	Arc Sensor, shielded with GIS adapter	Cable length 10m
ARC SLM-x	Fiber sensor, 8 000 lx	x = fiber length (1
SLS-1	Fiber joint SLS-1	Max one joint per fibre
VX001-xx	Modular Cable VAM <-> VAM (xx = Cable length [m])	Preferred Cable Lengths (2
VX031-5	Extension cable for VA1DP-5D	Cable length 5m
VYX001	Surface Mounting Plate for Sensors	Z-shaped
VYX002	Surface Mounting Plate for Sensors	L-shaped
VYX076	Projection	Height 40mm
VYX077	Projection	Height 60mm
VYX233	Projection	Height 100mm
VYX 628	Surface Mounting Plate for VA 1 DV Sensor	U-shaped
3P001	Line amplifier for arc protection BI/O channels	DIN rail mount
3P004	Supply unit, 100-240AC/24DC/1.3A	Supply unit

Note 1. Fibre lengths 1, 5, 10, 15, 20, 25, 30, 35, 40 or 50m

Note 2. Cable lengths 1, 3, 5, 7, 10, 15, 20, 25 & 30